

## ASSEMBLY INSTRUCTIONS

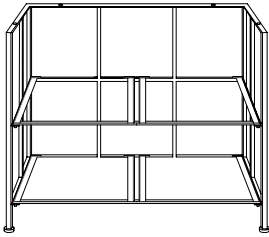
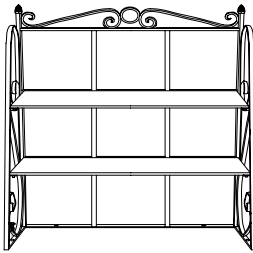

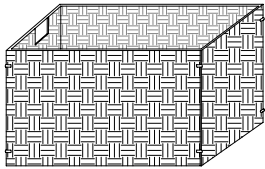
Item Number:EWB214-1

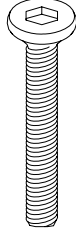
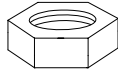

Product Name:Bakers Rack with top 3 wood shelves

### PRE-ASSEMBLY PREPARATION:

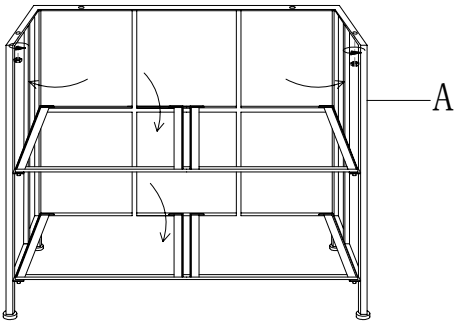
Please check all contents of this package before attempting to assemble the product. A full checklist of components is provided. If any components are missing, please contact the retailer from whom you have purchased this product. Read the Assembly Instructions in full before you begin to assemble. Please use **CAUTION AND CARE WHEN LIFTING** the product to avoid personal injury and (or) damage to the product. For ease of assembly, two people are recommended. The hardware packet contains **SMALL ITEMS** which should be **KEPT AWAY FROM CHILDREN**.

### Panel and Fittings Identification:

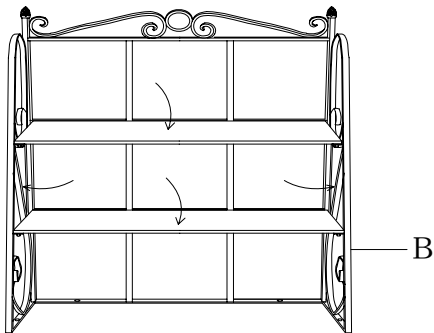
	Parts	Qty
A		1PC
B		1PC
C		1PC
D		4PCS

	Hardware	Qty
		4PCS
		4PCS
		1PC

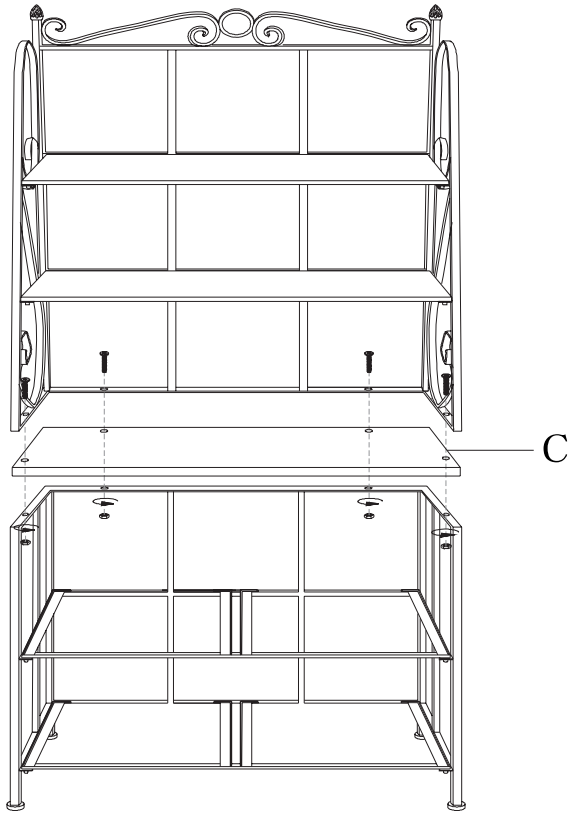
### Step By Step Assembly Instructions:



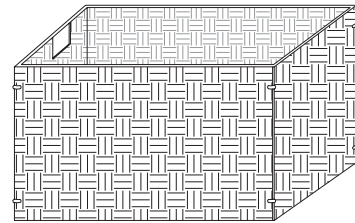
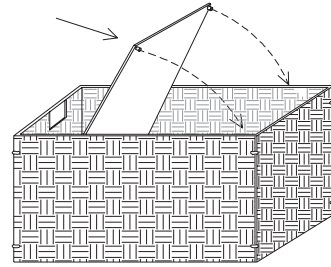
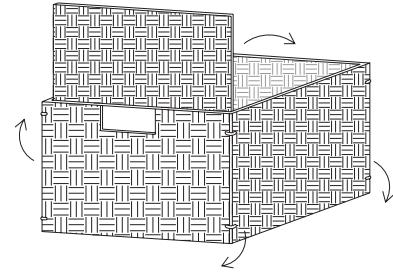
Step1.Unfold the lower metal part fully (A) and have the pegs inserted into the holes as shown



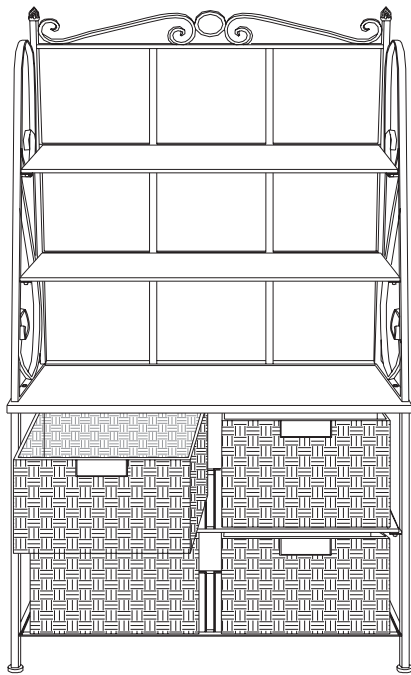
Step 2. Unfold the upper metal part fully (B) and have the pegs inserted into the holes as shown.



**Step 3**  
 Put wood counter top (C) on the lower metal part (A) and put the upper metal part (B) on top of the wood counter top (C). Then insert the bolts into the upper metal part (B) and through the wood counter top (C) and then through the lower metal part (A). Tighten the washer onto the bottom of each bolt.



**Step 4**  
 Unfold the basket (D) and have the pegs inserted into the holes as shown.



**Step 5**  
 Place the four baskets onto the two metal shelves

