

ASSEMBLY INSTRUCTIONS

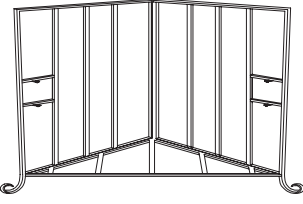

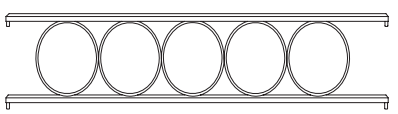

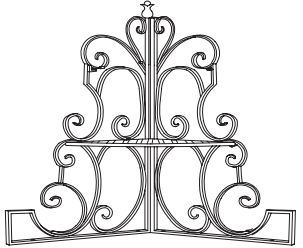
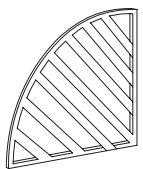
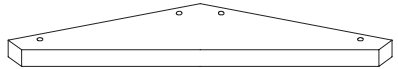
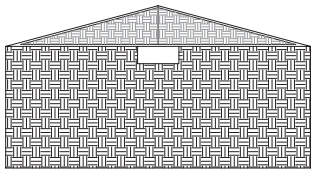
Item Number: EWB217-1

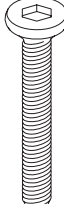


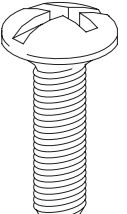
Product Name: Corner Bakers Rack with 1 Basket

PRE-ASSEMBLY PREPARATION:

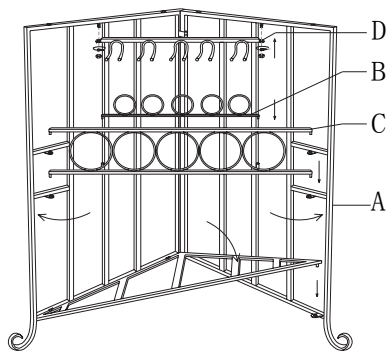
Please check all contents of this package before attempting to assemble the product. A full checklist of components is provided. If any components are missing, please contact the retailer from whom you have purchased this product. Read the Assembly Instructions in full before you begin to assemble. Please use **CAUTION AND CARE WHEN LIFTING** the product to avoid personal injury and (or) damage to the product. For ease of assembly, two people are recommended. The hardware packet contains **SMALL ITEMS** which should be **KEPT AWAY FROM CHILDREN**.

Panel and Fittings Identification:

	Parts	Qty
A		1PC
B		1PC
C		1PC
D		1PC
E		1PC
F		1PC
G		1PC
H		1PC

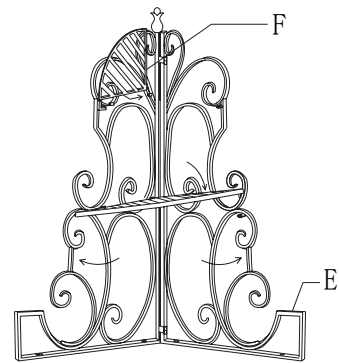
	Hardware	Qty
		4PCS
		4PCS
		1PC
		1PC

Step By Step Assembly Instructions:



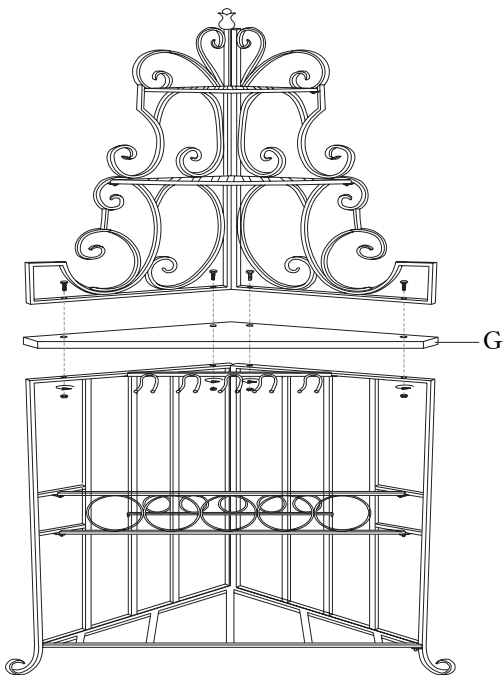
Step 1

Unfold the lower metal part fully (A) and have the pegs inserted into the holes as shown. Then insert the wine bottle holder (B) and (C) and the goblet holder (D) into the holes as shown.



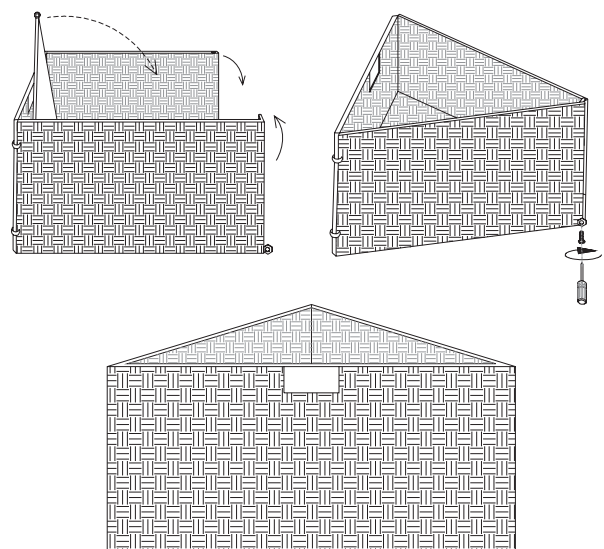
Step 2

Unfold the top metal part fully (E) and have the pegs inserted into the holes as shown. Then fix the metal panel (F) in the hole as shown.



Step 3

Put the wood counter top (G) on the lower metal part (A), and put the upper part (E) on the wood counter top (G). Then insert the bolts into the upper metal part (A) and through the wood counter top (G) and then the lower metal part (A). Tighten the washer onto the bottom of each bolt.



Step 4

Unfold the basket (D) and have the pegs inserted into the holes as shown.

Step 5

Place the basket onto the bottom metal shelf.

