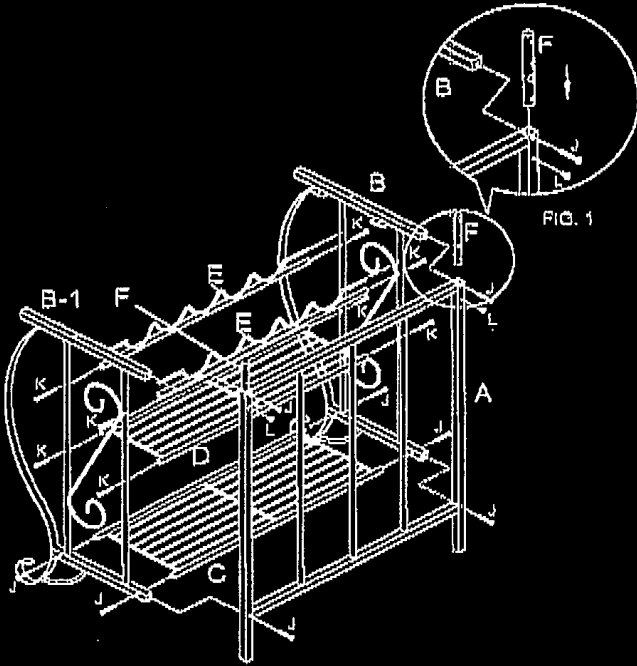


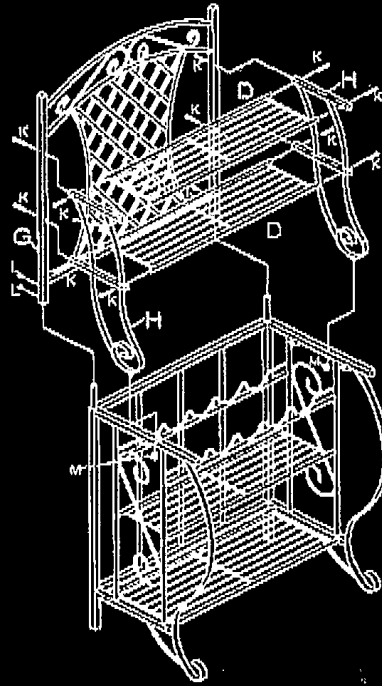


SOUTHERN ENTERPRISES INC.  
**SEI# BE123300TX**  
**TRELLIS BAKER'S RACK**  
 (ASSEMBLY INSTRUCTIONS)

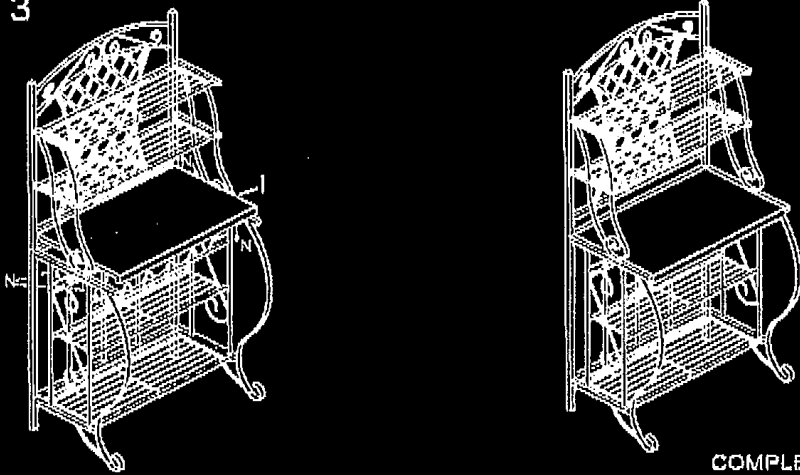
**STEP 1**



**STEP 2**



**STEP 3**



COMPLETE UNIT

NO.	DESCRIPTION	QTY
A		1
B		1
B-1		1
C		1
D		3
E		2
F		2
G		1
H		2
I		1
J		8
K		20
L		6
M		2
N		4
O		1
P		1

Please count, identify and compare parts and hardware list to be sure all parts are present. Extra hardware may be included. If any items are missing, please contact our parts/service department at (800) 633-6066 or in Dallas (972) 888-0111/9am-4pm Mon-Fri central time. Missing or damaged hardware and/or parts will be replaced free of charge. WE DO NOT SELL PARTS. WE DO NOT RECOMMEND MODIFYING PRODUCT(S) AND WE ARE NOT RESPONSIBLE FOR ANY DAMAGES DUE TO PRODUCT MODIFICATION(S).

**PARTS REPLACEMENT FORM**

Style No. BE123300TX  
 Customer's Name

Street, City, State, Zip

PARTS LETTER      PART DESCRIPTION      QUANTITY NEEDED

Please indicate where you purchased this item.  
 Store/website/catalog

Please indicate /color/ size/style number.



SOUTHERN ENTERPRISES INC  
 P.O. Box 59996 Dallas, Texas 75229